

WHAT DOES KMASTER INCLUDE?

- Real-time position (frequency 1')
- Historical online geolocation for the last 4 months
- Movement reports by vehicle
- Driving hours estimation
- Real-time traffic
- Maintenance planning
- Route calculation with tolls, time and fuel
- KMaster Manager and KMaster Driver app (iOS/Android)
- Customisation of points of interest on the map
- Entry/exit notifications for established areas
- Technical support from the provider

IMPORTANT:

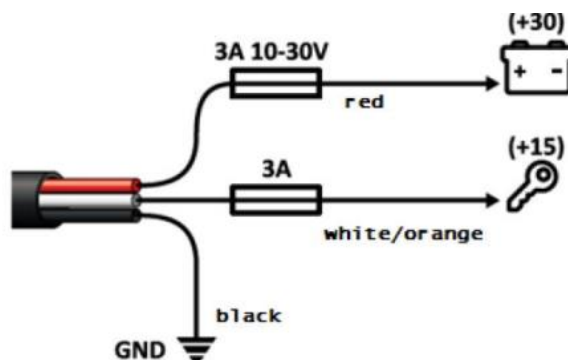
MANDATORY DEVICE WITH FIXED INSTALLATION

1. Cut the wire 10 cm from the vehicle power outlet



2. 3 wires come out: RED, WHITE (OR ORANGE) AND BLACK

All three must be connected: the red one to the battery, the white one to the key, and the black one is the earth connection.



More details at: <http://www.telepasskmaster.com/>

Video presentation: <http://www.telepasskmaster.com/pills/esp/VideoGuide.html>